

KALSS Australian Standard Specification

Level Indicator
Overload Alarm
Boom and Arm Anti-Burst Valves
Enable compliance when lifting suspended loads.



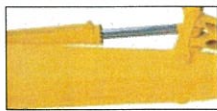
Additional Mirrors and Lighting
For improved visibility and illumination



OPG Level 2 Top Guard (ISO 10262)
For falling object protection.
Rotating Amber Beacon
Fitted with factory guard.



Rock Guard
Reinforced steel plate and ribs to provide additional protection of arm structure.



Heavy-Duty Boom and Arm
With continuous plates and cast tips to provide increased durability and reliability.



High Capacity Air Conditioner
With increased cool down performance.

Factory Fitted Quick Hitch and Hammer Piping
Enable use with a greater variety of attachments.

Track Frame and Revolving Frame Under Cover
Prevents ingress of material into slew ring area and engine bay.

Photo may include optional equipment

Bump Rails
For upper structure protection when slewing.



Battery Isolation
Single pole, lockable Bosch-type battery isolation.



E-Stops
Allow compliance to site safety requirements with standard factory wiring for trouble free operation.



Lower Windscreen Guard
Protects cabin windscreen against rocks and debris.



Heavy Duty Wide Undercarriage Design PC350LC-8M0 Only

- Extra heavy duty track frame provides durability in heavy construction and quarry conditions as well as low centre of gravity and wider track gauge for greater stability.
- Full length track roller guards provide complete protection of track rollers against rock and debris damage.
- Lift capacity is increased by 12% over the PC300LC-8M0.
- Centre frame ground clearance is increased to 644mm.
- Gauge width increased to 3310mm.

ENGINE

Model..... Komatsu SAA6D114E-3
Type..... Water-cooled, 4-cycle, direct injection
Aspiration..... Turbocharged, aftercooled
Number of cylinders..... 6
Bore..... 114 mm
Stroke..... 135 mm
Piston displacement..... 8.27 L
Horsepower:
SAE J1995..... Gross 194 kW 260 HP
ISO 9249 / SAE J1349..... Net 187 kW 250 HP
Rated rpm..... 1950 min⁻¹
Fan drive method for radiator cooling..... Mechanical
Governor..... All-speed control, electronic
EPA, Tier 3 and EU Stage 3A emissions equivalent.

SWING SYSTEM

Drive method.....Hydrostatic
Swing reduction.....Planetary gear
Swing circle lubrication.....Grease-bathed
Service brake.....Hydraulic lock
Holding brake/Swing lock.....Mechanical disc brake
Swing speed..... 9.5 min⁻¹

UNDERCARRIAGE

Center frame.....X-frame
Track frame.....Box-section
Seal of track.....Sealed track
Track adjuster.....Hydraulic
Number of shoes (each side):
PC300-8M0..... 45
PC300LC-8M0 / PC350LC-8M0..... 48
Number of carrier rollers..... 2 each side
Number of track rollers (each side):
PC300-8M0..... 7
PC300LC-8M0 / PC350LC-8M0..... 8

COOLANT AND LUBRICANT CAPACITY (REFILLING)

Fuel tank..... 605 L
Coolant..... 31.0 L
Engine..... 37.0 L
Final drive, each side..... 9.0 L
Swing drive..... 16.5 L
Hydraulic tank..... 188 L

OPERATING WEIGHT (APPROXIMATE)

Operating weight including 6470 mm one-piece boom, 3185 mm arm, 600 mm shoes, rated capacity of lubricants, coolant, full fuel tank, operator, standard equipment, KGA quick hitch and 1500mm KGA bucket (PC300-8M0, PC300LC-8M0) or 1700 mm KGA bucket (PC350LC-8M0).

PC300-8M0	PC300LC-8M0	PC350LC-8M0
Operating Weight	33900 kg	33900 kg
Ground Pressure	0.7 kg/cm ²	0.7 kg/cm ²
Operating Pressure	0.05 kg/cm ²	0.05 kg/cm ²
Ground Pressure	0.05 kg/cm ²	0.05 kg/cm ²
Operating Weight	36300 kg	36300 kg
Ground Pressure	0.7 kg/cm ²	0.7 kg/cm ²
Operating Pressure	0.05 kg/cm ²	0.05 kg/cm ²
Ground Pressure	0.05 kg/cm ²	0.05 kg/cm ²

RATED CAPACITY

Rated capacity when fitted with 6470 mm boom, 3185 mm arm, 600 mm shoes and lifting suspended loads with KGA quick hitch (as per Australian standards).
PC300-8M0..... 3150 kg
PC300LC-8M0..... 3200 kg
PC350LC-8M0..... 3650 kg

HYDRAULICS

Type.....HydraMind (Hydraulic Mechanical Intelligence New Design) system, closed-centre system with load sensing valves and pressure compensated valves
Number of selectable working modes..... 6
Main pump:
Type..... Two variable displacement piston type
Pumps for..... Boom, arm, bucket, swing, and travel circuits
Maximum flow..... 535 L / min
Supply for control circuit..... Self-reducing valve
Hydraulic motors:
Travel..... 2 x axial piston motor with parking brake
Swing..... 1 x axial piston motor with swing holding brake
Relief valve settings:
Implement circuits..... 37.3 MPa 380 kg/cm²
Travel circuit..... 37.3 MPa 380 kg/cm²
Swing circuit..... 27.5 MPa 285 kg/cm²
Pilot circuit..... 3.2 MPa 33 kg/cm²
Hydraulic cylinders:
(Number of cylinders – bore x stroke x rod diameter)
Boom..... 2 – 140 mm x 1480 mm x 100 mm
Arm..... 1 – 160 mm x 1825 mm x 110 mm
Bucket for 3,185 m & 4.02 m arm..... 1 – 140 mm x 1285 mm x 100 mm
Bucket for 2.55 m arm..... 1 – 150 mm x 1285 mm x 110 mm

DRIVES AND BRAKES

Steering control..... Two levers with pedals
Drive method..... Hydrostatic
Maximum drawbar pull..... 264 kN 28900 kg
Gradeability..... 70%, 35°
Maximum travel speed: High..... 5.5 km/h
(Auto-Shift)..... 4.5 km/h
Mid..... 3.2 km/h
Low..... 3.2 km/h
Service brake..... Hydraulic lock
Parking brake..... Mechanical disc brake

Specification also includes factory fitted provisions for fire extinguishers, turbo timer, UHF and venturi covers to enable ease and reduce cost of local fitment.

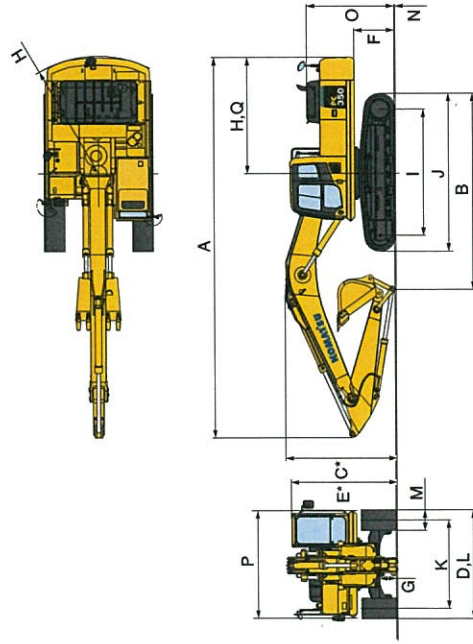


DIMENSIONS

Model	Arm Length		PC300-8M0	PC300LC-8M0	PC350LC-8M0
	PC300-8M0	PC300LC-8M0			
A	11150 mm	11150 mm	3185 mm	3185 mm	3185 mm
B	5735 mm	5930 mm	5930 mm	5930 mm	11140 mm
C	3285 mm	3285 mm	3285 mm	3285 mm	5930 mm
D	3190 mm	3190 mm	3190 mm	3190 mm	5285 mm
E	3145 mm	3145 mm	3190 mm	3190 mm	3310 mm
F	1185 mm	1185 mm	3145 mm	3190 mm	3190 mm
G	500 mm	500 mm	1185 mm	1230 mm	1230 mm
H	3450 mm	3450 mm	500 mm	644 mm	644 mm
I	3700 mm	4030 mm	3450 mm	3450 mm	3450 mm
J	4625 mm	4955 mm	4030 mm	4030 mm	4030 mm
K	2590 mm	2590 mm	4955 mm	4955 mm	4955 mm
L	3190 mm	3190 mm	2590 mm	2710 mm	2710 mm
M	600 mm	600 mm	3190 mm	3310 mm	3310 mm
N	36 mm	36 mm	600 mm	600 mm	600 mm
O	2585 mm	2585 mm	36 mm	36 mm	36 mm
P	3090 mm	3090 mm	2585 mm	2630 mm	2630 mm
Q	3405 mm	3405 mm	3090 mm	3090 mm	3090 mm
			3405 mm	3405 mm	3405 mm

*: Including grouser height

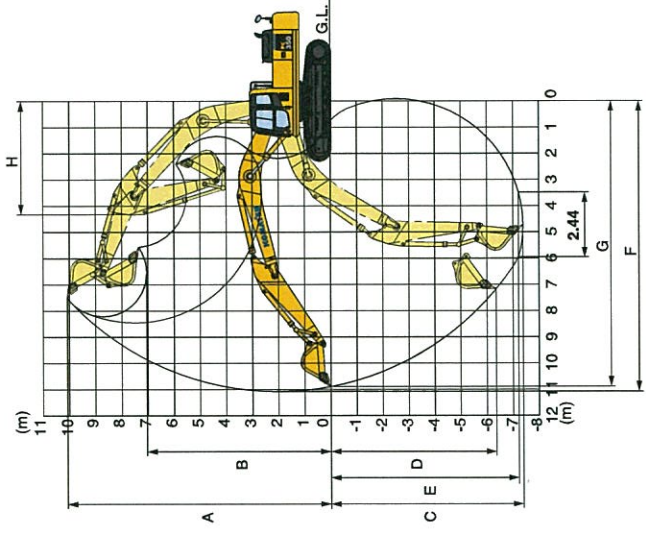
** : Including handrail



WORKING RANGE

Model	PC300/LC-8M0	PC350LC-8M0
A	10100 mm	10100 mm
B	7050 mm	7050 mm
C	7380 mm	7380 mm
D	6400 mm	6400 mm
E	7180 mm	7180 mm
F	11100 mm	11100 mm
G	10920 mm	10920 mm
H	4430 mm	4430 mm
SAE Rating	Bucket digging force at power max	200 kN 20400 kg
	Arm crowd force at power max	165 kN 16800 kg
ISO Rating	Bucket digging force at power max	228 kN 23200 kg
	Arm crowd force at power max	171 kN 17400 kg

Working range data applicable for machines when fitted with 3185 mm arm and 1.4m³ SAE heaped factory bucket.



STANDARD EQUIPMENT



- ENGINE:**
- Additional filter system for poor-quality fuel (water separator)
 - Air pre-cleaner
 - Automatic engine warm-up system
 - Dry type air cleaner, double element
 - Engine, Komatsu SAA6D114E-3
 - Engine overheat prevention system
 - Large capacity fuel pre-filter
 - Radiator and oil cooler dust proof net
 - Side by side coolers
 - Suction cooling fan

ELECTRICAL SYSTEM:

- Auto-decel
- Alternator, 24V / 60A
- Batteries, 2 X 12 V / 120AH
- Battery isolation, single pole lockable
- Emergency stops x 3
- Starting motor, 24V / 11KW
- Voltage reducer 24V to 12V, with socket
- Working lights
 - 1 x boom
 - 1 x RH
 - 3 x cab
 - 1 x counterweight

HYDRAULIC SYSTEM:

- Arm holding valve
- Boom and arm burst valve protection
- Dual flow hammer piping
- Full flow in-line filter
- "HydraMind" closed centre load sensing system
- Overload alarm
- Power maximizing system
- PPC hydraulic control system
- Quick hitch piping with safety switch and alarm
- Two-mode settings for boom
- Working mode selection system

OPERATOR ENVIRONMENT:

- AM / FM radio
- Belt-on top guard
- [Operator Protective Guard level 2 (OPG)]
- Half height cab front guard
- EMMS monitoring system
- Large capacity automatic air conditioner
- Multi-function color monitor
- Rear view mirror (RH, LH, sidewise)
- ROPS cab (ISO 12117-2 and OPG Level 1) with vandal cover provision
- Rotating beacon with guard
- Seat belt, retractable
- Seat, suspension

OTHER EQUIPMENT:

- Counterweight
- Electric horn
- Handrails, full deck with kick plate
- Level indicator
- Rear reflector
- Travel alarm
- Slip-resistant plates



Booms: 6470 mm Arm: 3185 mm Shoes: 600 mm triple grouser Bucket: 1.4 m³ SAE heaped (1015 kg)

A/B	MAX						3 m	
	6.1 m		7.6 m		8.1 m		4.6 m	3 m
6.1 m	*5250 kg	4400 kg		*7150 kg	5700 kg			Cf Cs
4.6 m	*5400 kg	3750 kg	5700 kg	*7800 kg	5900 kg		*8150 kg	
3.0 m	5150 kg	3450 kg	5550 kg	7650 kg	5200 kg		*10250 kg	7600 kg
1.5 m	5000 kg	3300 kg	5400 kg	7300 kg	4950 kg		*10550 kg	7100 kg
0 m	5100 kg	3350 kg	5500 kg	7100 kg	4700 kg		10150 kg	6700 kg
-1.5 m	5450 kg	3500 kg	5250 kg	6950 kg	4600 kg		9900 kg	6550 kg
-3.0 m	6350 kg	4200 kg		7000 kg	4600 kg		9900 kg	6500 kg
-4.5 m	*7400 kg	5500 kg					*9300 kg	6700 kg
-6.1 m							*12350 kg	10350 kg
							*7450 kg	*7450 kg

A/B	MAX						3 m	
	6.1 m		7.6 m		8.1 m		4.6 m	3 m
6.1 m	*5250 kg	4450 kg		*7150 kg	5800 kg			Cf Cs
4.6 m	*5400 kg	3850 kg	6500 kg	*7600 kg	5600 kg		*8250 kg	
3.0 m	*5700 kg	3500 kg	6200 kg	*8400 kg	5300 kg		*10250 kg	7700 kg
1.5 m	5700 kg	3350 kg	6200 kg	8350 kg	5050 kg		*11550 kg	7200 kg
0 m	5850 kg	3400 kg	6050 kg	8150 kg	4800 kg		11650 kg	6850 kg
-1.5 m	6300 kg	3650 kg	6000 kg	8000 kg	4700 kg		11450 kg	6650 kg
-3.0 m	7250 kg	4250 kg		8000 kg	4700 kg		*11300 kg	6650 kg
-4.5 m	*7400 kg	5600 kg					*9300 kg	6800 kg
-6.1 m							*12350 kg	10850 kg
							*7450 kg	*7450 kg

A/B	MAX						3 m	
	6.1 m		7.6 m		8.1 m		4.6 m	3 m
6.1 m	*5250 kg	4900 kg		*7150 kg	6350 kg			Cf Cs
4.6 m	*5400 kg	4250 kg	6500 kg	*7600 kg	6100 kg		*8350 kg	
3.0 m	*5750 kg	3900 kg	6650 kg	*8400 kg	5850 kg		*10250 kg	8400 kg
1.5 m	6000 kg	3750 kg	6500 kg	8750 kg	5550 kg		*11550 kg	7900 kg
0 m	6100 kg	3800 kg	6350 kg	8500 kg	5350 kg		12150 kg	7550 kg
-1.5 m	6600 kg	4100 kg	6300 kg	8350 kg	5200 kg		11950 kg	7350 kg
-3.0 m	*7550 kg	4800 kg		8400 kg	5250 kg		*11300 kg	7350 kg
-4.5 m	*7400 kg	6300 kg					*9300 kg	7550 kg
-6.1 m							*12350 kg	11900 kg
							*7450 kg	*7450 kg

OPTIONAL FACTORY EQUIPMENT



GUARDS AND COVERS:

- Bump rails
- Engine side covers, perforated
- Fan guard structure
- Revolving frame under cover

UNDERCARRIAGE:

- 600 mm triple grouser shoes
- Hydraulic track adjusters (each side)
- Track frame undercover
- Track guiding guard, centre section:
 - PC300-8M0 & PC300LC-8M0
 - Track roller guards (full length):
 - PC350LC-8M0
- Track roller:
 - PC300-8M0, 7 each side
 - PC300LC-8M0, 8 each side
 - PC350LC-8M0, 8 each side

OPERATOR ENVIRONMENT:

- AM / FM radio
- Belt-on top guard
- [Operator Protective Guard level 2 (OPG)]
- Half height cab front guard
- EMMS monitoring system
- Large capacity automatic air conditioner
- Multi-function color monitor
- Rear view mirror (RH, LH, sidewise)
- ROPS cab (ISO 12117-2 and OPG Level 1) with vandal cover provision
- Rotating beacon with guard
- Seat belt, retractable
- Seat, suspension

OTHER EQUIPMENT:

- Counterweight
- Electric horn
- Handrails, full deck with kick plate
- Level indicator
- Rear reflector
- Travel alarm
- Slip-resistant plates

UNDERCARRIAGE:

- 700 mm triple grouser shoes
- 800 mm triple grouser shoes
- Track roller guards (full length):
 - PC300-8M0 & PC300LC-8M0
- Arms
 - 2550 mm arm assembly
 - 4020 mm arm assembly

WORK EQUIPMENT:

- Arms
 - 2550 mm arm assembly
 - 4020 mm arm assembly

OPERATOR ENVIRONMENT:

- Full height cab front guard
- [Operator Protective Guard level 2 (OPG)]



LIFTING CAPACITY WITH LIFTING MODE

*Load is limited by hydraulic capacity rather than tipping. Ratings are based on SAE standard No. J1607. Rated loads do not exceed 87% of hydraulic lift capacity or 75% of tipping load.